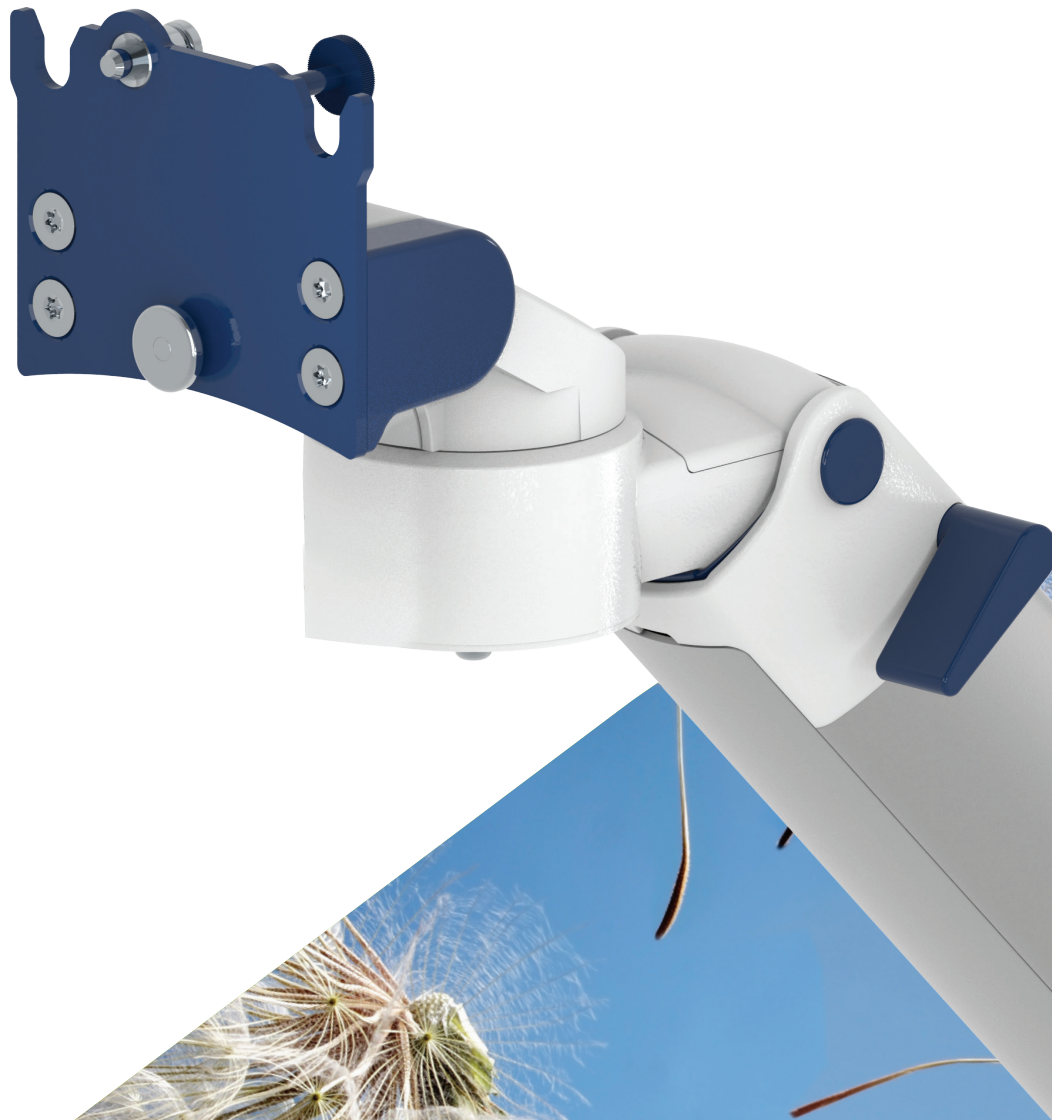




MOUNTING REFERENCE GUIDE

VESA 75/100 Adaptation with Quick Release

CIM Cable Integrated Mounting System



THINK BEFORE
YOU PRINT



Content

General notes	3
How to create part numbers	4
Quick release adapter plate VESA	6
Product highlights	7
Flush mount	8
Support arm pivot	10
Extended pivot arm light duty	12
Extended pivot arm heavy duty	14
Height adjustable arm	16
Extended height adjustable arm	18
High position height adjustable arm	20
Extended high position height adjustable arm	22
Counter top	24
Counter top for deep monitors	26
Cart light duty	28
Fixings	30

General notes

Monitor Adaptations

The quick release monitor adaptation with adapter plate for VESA 75/75 (part no. Z-QR-C) or VESA 75/100 (part no. Z-QR-G) allows a quick change of the monitor. Please note that the quick release adapter plate has to be ordered separately.

Mounting solutions for monitors with VESA 75/100 without quick release can be found in our catalogue VESA 75/100 adaptation.

Components' grounding

All arms with integrated cable management are equipped with **component grounding**. No grounding is required for arms with external or semi-integrated cable management with cables not being led through joints.

Load capacity

All **height adjustable arms** have a load capacity of 22 kg / 48.5 lbs. Rear mounted monitor adaptations and horizontally mounted 5" plunge plates accept a maximum monitor weight of 18 kg / 39.7 lbs. An additional 4 kg / 8.8 lbs may be mounted on a down post underneath the front swivel part. Depending on material and tensile factor all weight indications have a 4-fold and/ or 6-fold safety factor according to IEC 60601-1 standards.

Custom-designed solutions and MRI applications

Please contact us for **custom-designed** solutions.

Product marking

All products which are classified as medical product risk class 1 are CE marked. As **medical product risk class 1** they are conform with the regulations (EU) 2017/745 (MDR) and IEC 60601-1. Other standards of the IEC 60601 series are not applicable to our products, regardless of their version.

MD A stand-alone product that is already classified as a medical product class 1 before being integrated into an overall medical device. The product is CE-marked. A declaration of conformity is available.

~~MD~~ Accessories or spare parts that have no independent function and are therefore not subject to the MDR. These products are not CE-marked. A declaration of conformity is not required.

Warranty

All CIM products have a 5-year warranty to be free of defects in material and functionality from the date of delivery.

How to find the right product for your needs?

No problem with our configurator

<https://cim-configurator.com>



How to create part numbers

Part numbers can be easily created by following the steps below:

Please replace the letters in **green** with the part no. code as per your requirements.

1. Components' grounding:

S	=	not grounded
A	=	grounded

2. Choose the arm version required:

910Q	=	flush mount
224Q / 230Q	=	support arm pivot
33030Q	=	extended pivot arm light duty
H33030Q	=	extended pivot arm heavy duty
431Q	=	height adjustable arm
73130Q	=	extended height adjustable arm
531Q	=	high position height adjustable arm
83130Q	=	extended high position height adjustable arm

3. Specify where you want to mount the arm and select the fixing (Y):

1V	=	pole ø 23 - 40 mm / 0.9 - 1.6"
1	=	pole ø 25 mm / 1.0"
1B	=	pole ø 30 mm / 1.2"
1F	=	pole ø 35 mm / 1.4"
1C	=	pole ø 38 mm / 1.5"
2F	=	horizontal rails 10 x 25, 8 x 35, 10 x 30, 10 x 50 mm
3	=	vertical rail 10 x 25 mm
4S	=	vertical wall channel
9	=	Löwenstein Medical / ITD / mounting channel
13	=	Mindray medical supply units
17	=	Amico pendants & headwalls
19	=	Dräger Ambia pendants & headwalls

How to create part numbers

4. Choose the colour requested for decorative parts (C):

gr = RAL 7024 (graphite grey)
bl = RAL 5013 (cobalt blue)

5. Choose the colour requested for the aluminium die-cast parts (D):

1 = RAL 9016 (traffic white)
2 = RAL 9002 (grey white)

6. Specify the spring depending on the weight of your monitor/ device - only with height adjustable arms (X):

60 = 2 - 5 kg / 4.4 - 11 lbs
95 = 4 - 9 kg / 8.8 - 19.8 lbs
110 = 4.5 - 12.5 kg / 9.9 - 27.6 lbs
130 = 7.5 - 13 kg / 16.5 - 28.7 lbs
160 = 12.5 - 19 kg / 27.6 - 41.9 lbs
175 = 13 - 16 kg / 28.7 - 35.3 lbs
220 = 16 - 22 kg / 35.3 - 48.5 lbs

Example

01 Grounding	02 Arm version	03 Fixing	04 & 05 Colour	06 Spring tension
A	- 431Q	- Y	. CD	- X
A	- 431Q	- 4S	. gr1	- 95

Quick release adapter plate VESA

VESA 75 Quick release adapter plate (Z-QR-C.D)

The adapter plate shown is mounted to the rear side of the monitor's hole pattern 75 x 75 mm (2.9 x 2.9"). The quick release adapter plate has to be ordered separately.

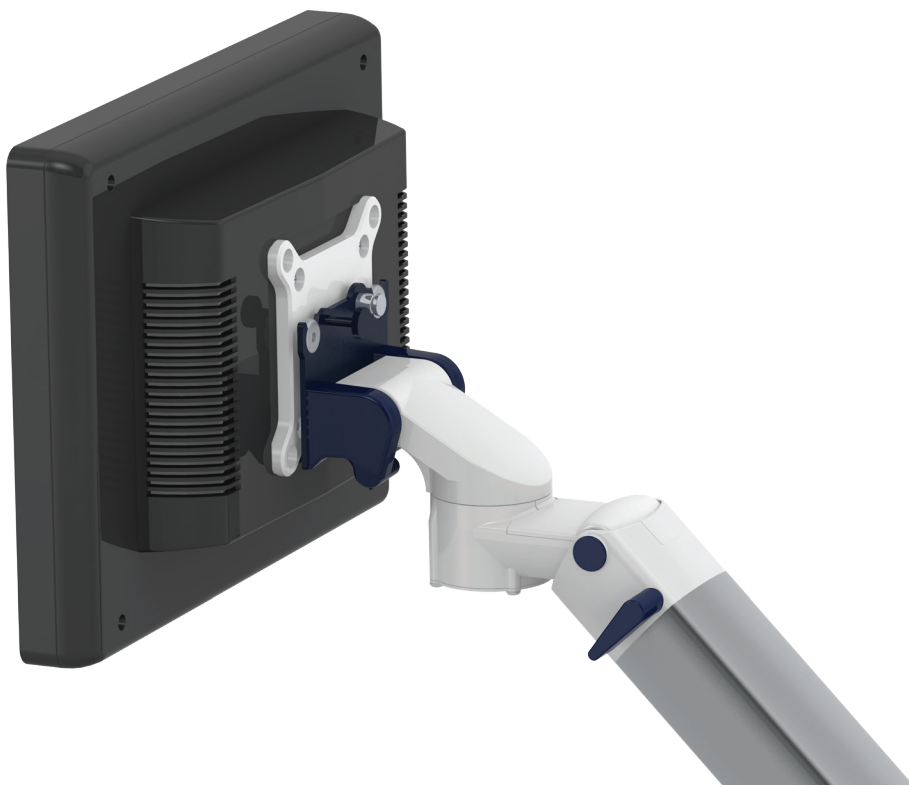
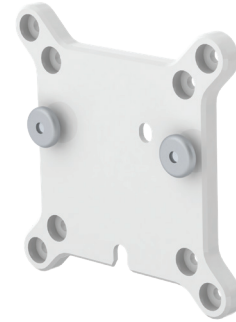
Product weight: 0.2 kg / 0.4 lbs



VESA 75/ 100 Quick release adapter plate (Z-QR-G.D)

The adapter plate shown is mounted to the rear side of the monitor using either the 75 x 75 mm (2.9 x 2.9") or 100 x 100 mm (3.9 x 3.9") hole pattern. The quick release adapter plate has to be ordered separately.

Product weight: 0.2 kg / 0.4 lbs



Product highlights

Non-height adjustable arm

Pivot and extended pivot arms offer **full cable integration** and easy cleaning for **infection control** in all critical care areas in the clinical environment. Our **5-years warranty** guarantees reliable, trouble-free and maintenance-free operation. The swivel function at the fixing point as well as the **tilt/ swivel function** of the monitor adaptation offers optimum positioning of your device. The extended pivot arm is a two-part arm with central pivot point between the two arm sections. All bottom-mounted monitors have the safety feature of a **20° tilt stop**.

Height adjustable arm

The height adjustable arm offers **full cable integration**, one-wipe clean surfaces and our **5-year warranty** on the entirety of the product. Vertically and horizontally adjustable, the arm offers optimal positioning of your device. A constant viewing angle when vertically adjusted is guaranteed by a parallel linkage. **Weight-optimized springs counter-balance** the monitor without making any adjustments. All bottom-mounted monitors have the safety feature of a **20° tilt stop**. Individual rotational stops may be integrated in any joint.

To provide the perfect combination of arm and monitor, the CIM articulated height adjustable arm has a simple quarter-turn lock to hold the arm safely in position when removing the monitor. Furthermore the arm is equipped with the unique safety feature of a slow-release gas spring. Should anybody try to remove the monitor before locking the arm in position, the arm will only rise at a slow and even tempo.

SAFETY

Flush mount



Monitor adaption

quick release base plate

Colours to choose **CD**

decorative parts RAL 5013 cobalt blue / RAL 7024 graphite grey
 aluminum parts RAL 9016 traffic white / RAL 9002 grey white

Max. load capacity support arm

18 kg / 39.7 lbs

Max. load monitor adaptation

18 kg / 39.7 lbs

Product weight

0.8 kg / 1.8 lbs

Part number

S-910Q-Y.CD
 Z-QR-C.D quick release adapter plate VESA 75
 Z-QR-G.D quick release adapter plate VESA 75/100

Fixings Y

details page 30



Adapter for vertical wall channel



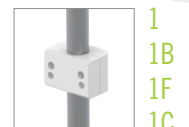
Horizontal rail clamp



Vertical rail clamp



Universal pole clamp



Fixed pole clamp



Adapter for Mindray medical supply units



Adapter for Amico pendants & headwalls

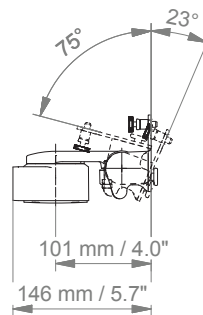


Adapter for Dräger Ambia pendants & headwalls

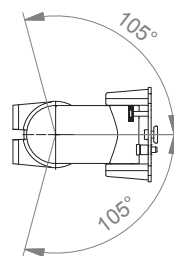
Flush mount

Technical data

SIDE VIEW



TOP VIEW



Support arm pivot



Monitor adaption

quick release base plate

Colours to choose **CD**

decorative parts RAL 5013 cobalt blue / RAL 7024 graphite grey
 aluminum parts RAL 9016 traffic white / RAL 9002 grey white

Max. load capacity support arm

18 kg / 39.7 lbs

Max. load monitor adaptation

18 kg / 39.7 lbs

Product weight

arm type 240 1.6 kg / 3.5 lbs
 arm type 300 1.8 kg / 4.0 lbs

Part number

A-224Q-Y.CD arm type 240
 A-230Q-Y.CD arm type 300
 Z-QR-C.D quick release adapter plate VESA 75
 Z-QR-G.D quick release adapter plate VESA 75/100

Fixings **Y**

details page 30



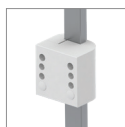
4S

Adapter for vertical wall channel



2F

Horizontal rail clamp



3

Vertical rail clamp



1V

Universal pole clamp



1
1B
1F
1C

Fixed pole clamp



13

Adapter for Mindray medical supply units



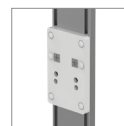
17

Adapter for Amico pendants & headwalls



19

Adapter for Dräger Ambia pendants & headwalls



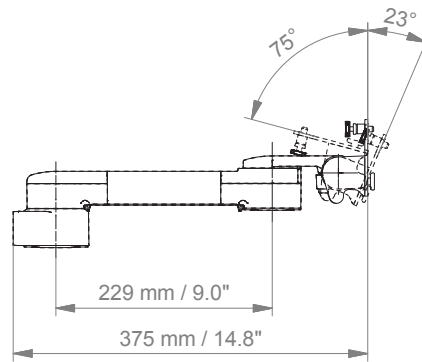
9

Adapter for Löwenstein Medical / ITD / mounting channel

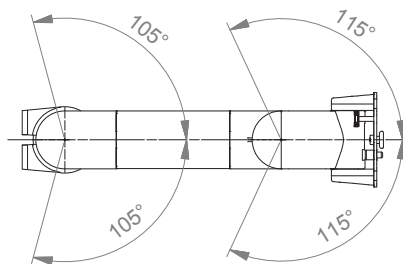
Support arm pivot

Technical data – arm type 300

SIDE VIEW

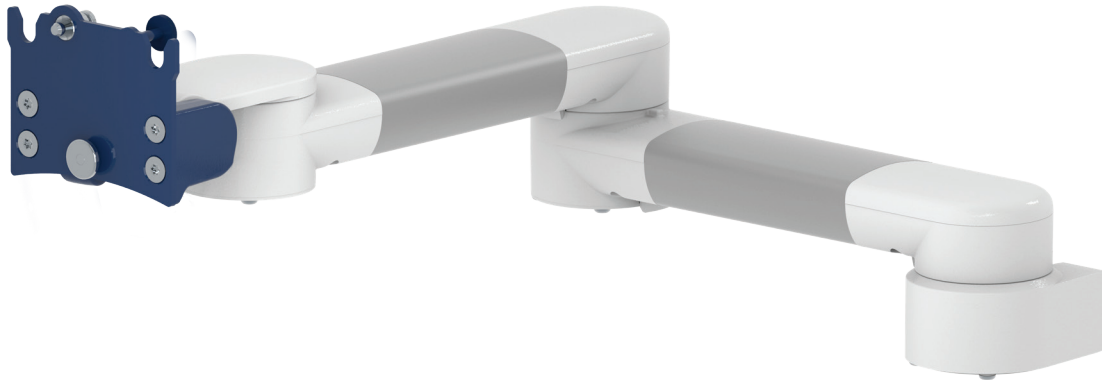


TOP VIEW



Extended pivot arm light duty

MD



Monitor adaption

Colours to choose **CD**

Max. load capacity support arm

Max. load monitor adaptation

Product weight

Part number

quick release base plate

decorative parts RAL 5013 cobalt blue / RAL 7024 graphite grey

aluminum parts RAL 9016 traffic white / RAL 9002 grey white

8 kg / 17.6 lbs

8 kg / 17.6 lbs

2.7 kg / 6.0 lbs

A-33030Q-**Y.CD**

Z-QR-C.**D**

quick release adapter plate VESA 75

Z-QR-G.**D**

quick release adapter plate VESA 75/100

Fixings **Y**

details page 30



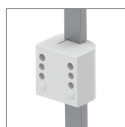
4S

Adapter for vertical wall channel



2F

Horizontal rail clamp



3

Vertical rail clamp



1V

Universal pole clamp



1
1B
1F
1C

Fixed pole clamp



13

Adapter for Mindray medical supply units



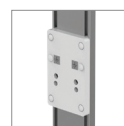
17

Adapter for Amico pendants & headwalls



19

Adapter for Dräger Ambia pendants & headwalls



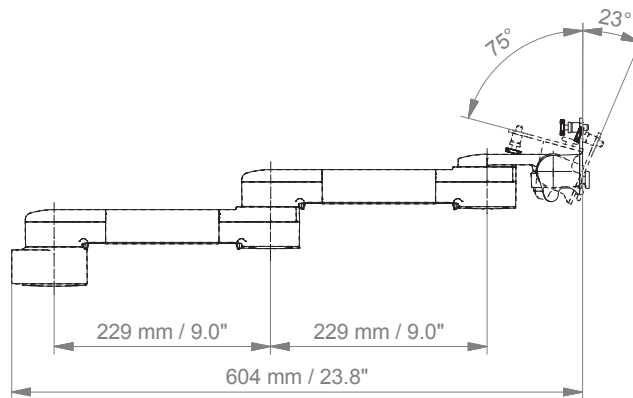
9

Adapter for Löwenstein Medical / ITD / mounting channel

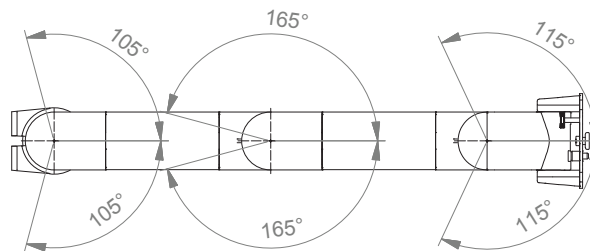
Extended pivot arm light duty

Technical data

SIDE VIEW

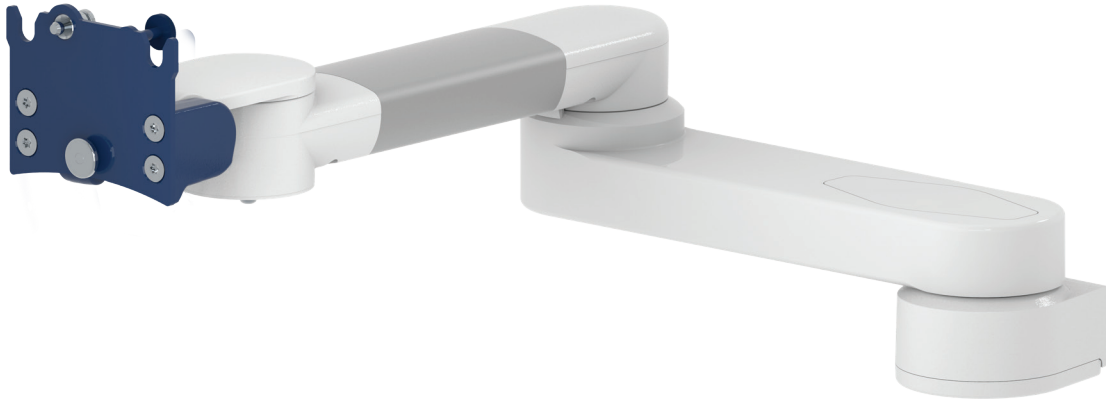


TOP VIEW



Extended pivot arm heavy duty

MD



Monitor adaption

quick release base plate

Colours to choose CD

decorative parts RAL 5013 cobalt blue / RAL 7024 graphite grey
 aluminum parts RAL 9016 traffic white / RAL 9002 grey white

Max. load capacity support arm

18 kg / 39.7 lbs

Max. load monitor adaptation

18 kg / 39.7 lbs

Product weight

2.9 kg / 6.4 lbs

Part number

A-H33030Q-Y.CD

Z-QR-C.D

quick release adapter plate VESA 75

Z-QR-G.D

quick release adapter plate VESA 75/100

Fixings Y

details page 30



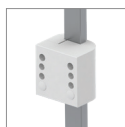
4S

Adapter for vertical wall channel



2F

Horizontal rail clamp



3

Vertical rail clamp



1V

Universal pole clamp



1
1B
1F
1C

Fixed pole clamp



13

Adapter for Mindray medical supply units



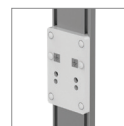
17

Adapter for Amico pendants & headwalls



19

Adapter for Dräger Ambia pendants & headwalls



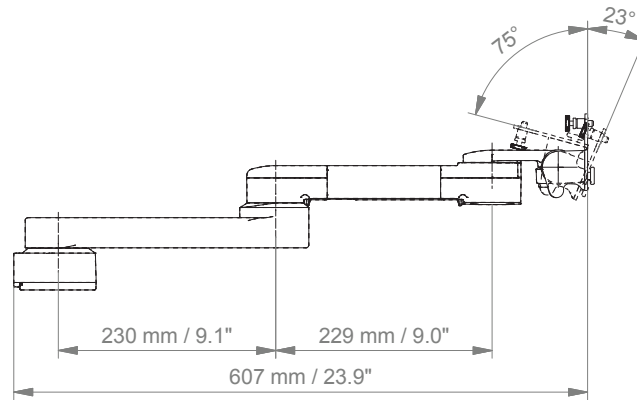
9

Adapter for Löwenstein Medical / ITD / mounting channel

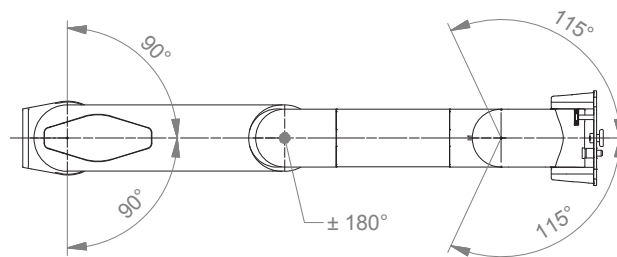
Extended pivot arm heavy duty

Technical data

SIDE VIEW

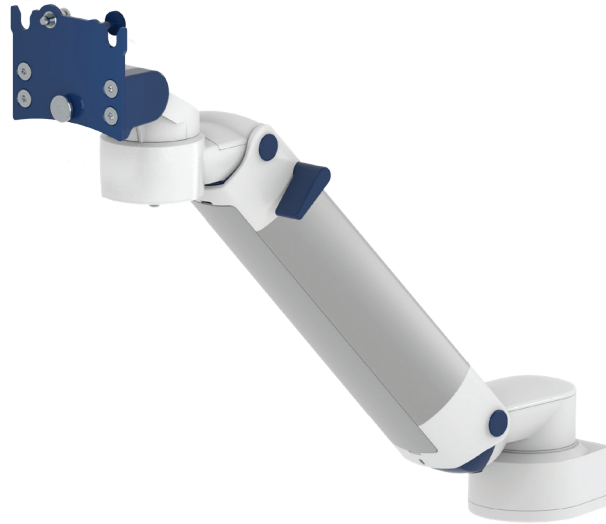


TOP VIEW



Height adjustable arm

MD



Monitor adaption	quick release base plate
Height adjustment	slow-flowing spring, parallel linkage for a constant viewing angle
Colours to choose CD	decorative parts RAL 5013 cobalt blue / RAL 7024 graphite grey aluminum parts RAL 9016 traffic white / RAL 9002 grey white
Max. load capacity support arm	22 kg / 48.5 lbs
Max. load monitor adaptation	18 kg / 39.7 lbs
Product weight	3.6 kg / 7.9 lbs
Balancing range X	600 N (2-5 kg / 4.4-11 lbs); 950 N (4-9 kg / 8.8-19.8 lbs); 1100 N (4.5-12.5 kg / 9.9-27.6 lbs); 1300 N (7.5-13 kg / 16.5-28.7 lbs); 1600 N (12.5-19 kg / 27.6-41.9 lbs); 1750 N (13-16 kg / 28.7-35.3 lbs); 2200 N (16-22 kg / 35.3-48.5 lbs)
Part number	A-431Q-Y.CD_X Z-QR-C.D quick release adapter plate VESA 75 Z-QR-G.D quick release adapter plate VESA 75/100

Fixings **Y**

details page 30



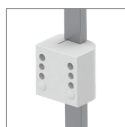
4S

Adapter for vertical wall channel



2F

Horizontal rail clamp



3

Vertical rail clamp



1V

Universal pole clamp



1
1B
1F
1C

Fixed pole clamp



13

Adapter for Mindray medical supply units



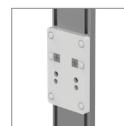
17

Adapter for Amico pendants & headwalls



19

Adapter for Dräger Ambia pendants & headwalls



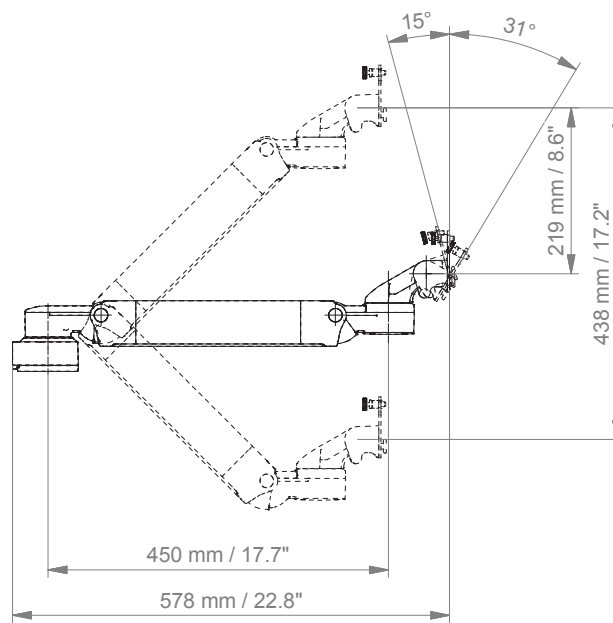
9

Adapter for Löwenstein Medical / ITD / mounting channel

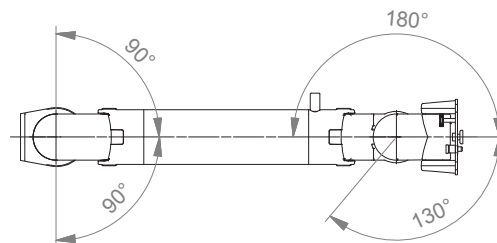
Height adjustable arm

Technical data

SIDE VIEW



TOP VIEW



Extended height adjustable arm



Monitor adaption

quick release base plate

Height adjustment

slow-flowing spring, parallel linkage for a constant viewing angle

Colours to choose **CD**

decorative parts RAL 5013 cobalt blue / RAL 7024 graphite grey
 aluminum parts RAL 9016 traffic white / RAL 9002 grey white

Max. load capacity support arm

22 kg / 48.5 lbs

Max. load monitor adaptation

18 kg / 39.7 lbs

Product weight

4.6 kg / 10.1 lbs

Balancing range **X**

600 N (2-5 kg / 4.4-11 lbs); 950 N (4-9 kg / 8.8-19.8 lbs); 1100 N (4.5-12.5 kg / 9.9-27.6 lbs); 1300 N (7.5-13 kg / 16.5-28.7 lbs); 1600 N (12.5-19 kg / 27.6-41.9 lbs); 1750 N (13-16 kg / 28.7-35.3 lbs); 2200 N (16-22 kg / 35.3-48.5 lbs)

Part number

A-73130Q-Y.CD_X

Z-QR-C.D quick release adapter plate VESA 75

Z-QR-G.D quick release adapter plate VESA 75/100

Fixings **Y**

details page 30



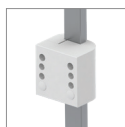
4S

Adapter for vertical wall channel



2F

Horizontal rail clamp



3

Vertical rail clamp



1V

Universal pole clamp



1
1B
1F
1C

Fixed pole clamp



13

Adapter for Mindray medical supply units



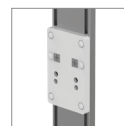
17

Adapter for Amico pendants & headwalls



19

Adapter for Dräger Ambia pendants & headwalls



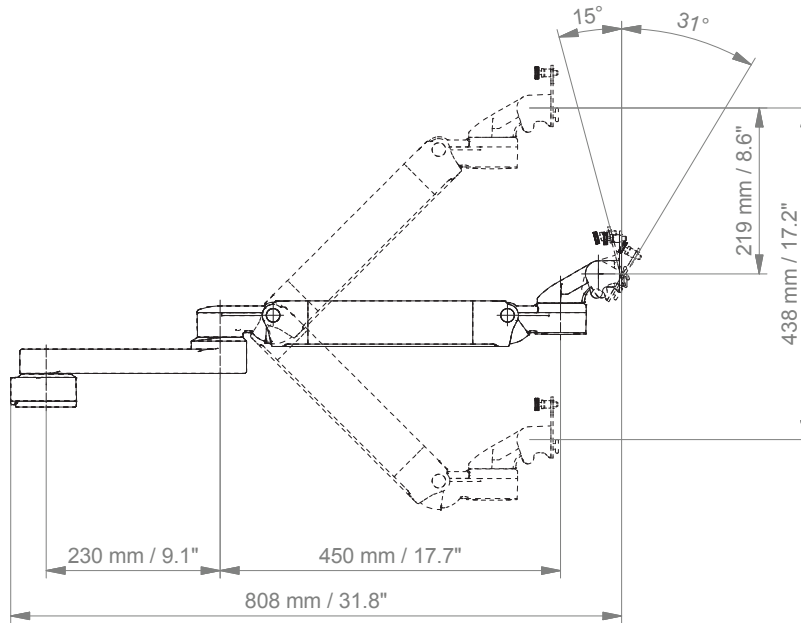
9

Adapter for Löwenstein Medical / ITD / mounting channel

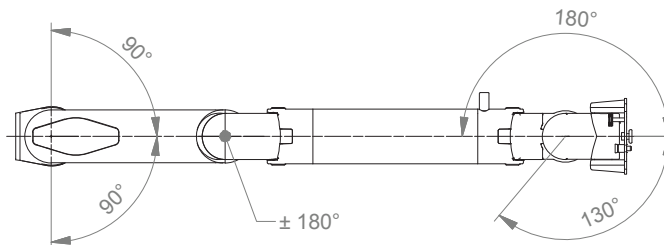
Extended height adjustable arm

Technical data

SIDE VIEW

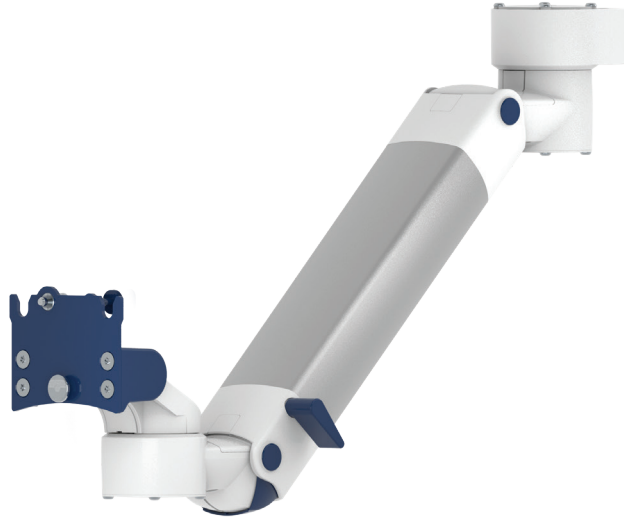


TOP VIEW



High position height adjustable arm

MD



Monitor adaption

quick release base plate

Height adjustment

slow-flowing spring, parallel linkage for a constant viewing angle

Colours to choose **CD**

decorative parts RAL 5013 cobalt blue / RAL 7024 graphite grey
aluminum parts RAL 9016 traffic white / RAL 9002 grey white

Max. load capacity support arm

22 kg / 48.5 lbs

Max. load monitor adaption

18 kg / 39.7 lbs

Product weight

4.0 kg / 8.8 lbs

Balancing range **X**

600 N (2-5 kg / 4.4-11 lbs); 950 N (4-9 kg / 8.8-19.8 lbs); 1100 N (4.5-12.5 kg / 9.9-27.6 lbs); 1300 N (7.5-13 kg / 16.5-28.7 lbs); 1600 N (12.5-19 kg / 27.6-41.9 lbs); 1750 N (13-16 kg / 28.7-35.3 lbs); 2200 N (16-22 kg / 35.3-48.5 lbs)

Part number

A-531Q-Y.CD_X

Z-QR-C.D

quick release adapter plate VESA 75

Z-QR-G.D

quick release adapter plate VESA 75/100

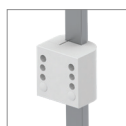
Fixings **Y**

details page 30



4S

Adapter for vertical wall channel



3

Vertical rail clamp



1V

Universal pole clamp



1

1B

1F

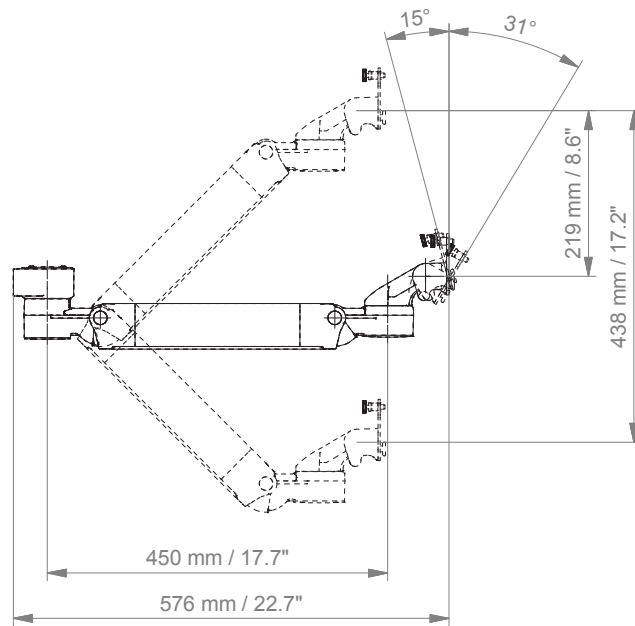
1C

Fixed pole clamp

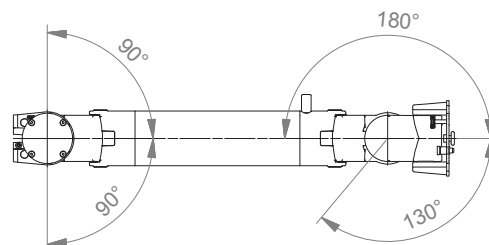
High position height adjustable arm

Technical data

SIDE VIEW

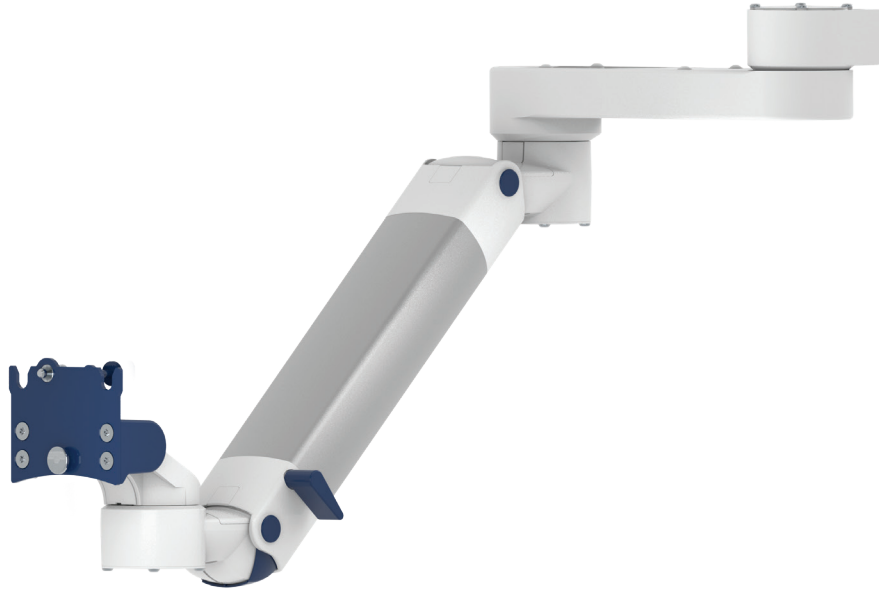


TOP VIEW



Extended high position height adjustable arm

MD



Monitor adaption

quick release base plate

Height adjustment

slow-flowing spring, parallel linkage for a constant viewing angle

Colours to choose CD

decorative parts RAL 5013 cobalt blue / RAL 7024 graphite grey
 aluminum parts RAL 9016 traffic white / RAL 9002 grey white

Max. load capacity support arm

22 kg / 48.5 lbs

Max. load monitor adaption

18 kg / 39.7 lbs

Product weight

5.1 kg / 11.2 lbs

Balancing range X

600 N (2-5 kg / 4.4-11 lbs); 950 N (4-9 kg / 8.8-19.8 lbs); 1100 N (4.5-12.5 kg / 9.9-27.6 lbs); 1300 N (7.5-13 kg / 16.5-28.7 lbs); 1600 N (12.5-19 kg / 27.6-41.9 lbs); 1750 N (13-16 kg / 28.7-35.3 lbs); 2200 N (16-22 kg / 35.3-48.5 lbs)

Part number

A-83130Q-Y.CD_X

Z-QR-C.D

quick release adapter plate VESA 75

Z-QR-G.D

quick release adapter plate VESA 75/100

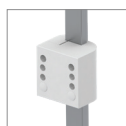
Fixings Y

details page 30



4S

Adapter for vertical wall channel



3

Vertical rail clamp



1V

Universal pole clamp



1

1B

1F

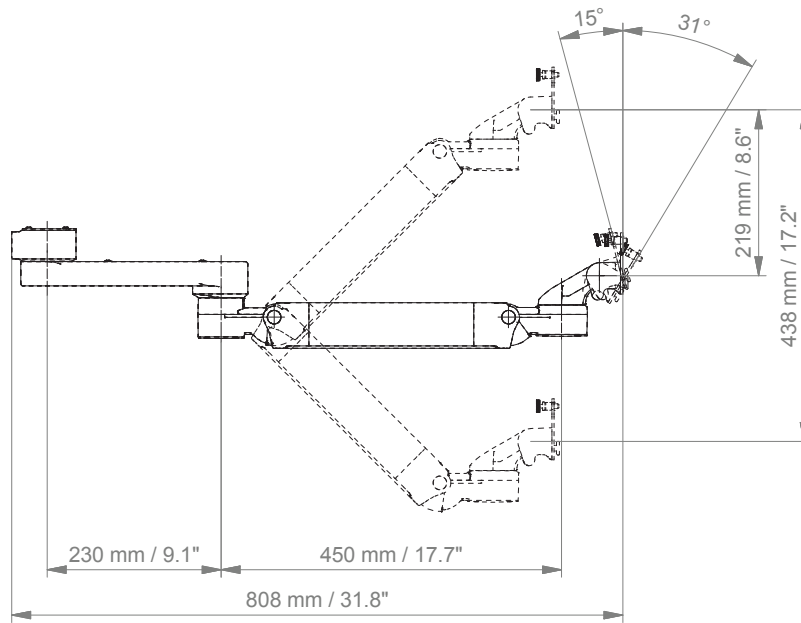
1C

Fixed pole clamp

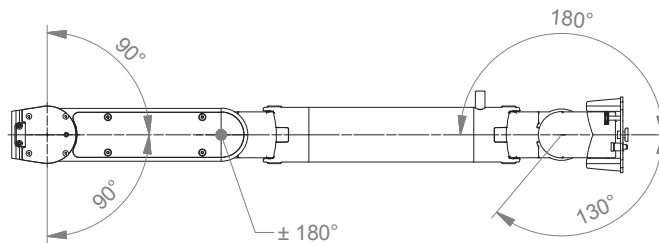
Extended high position height adjustable arm

Technical data

SIDE VIEW



TOP VIEW



Counter top

MD



Monitor adaption

quick release base plate

Colours to choose CD

decorative parts RAL 5013 cobalt blue / RAL 7024 graphite grey
 aluminum parts RAL 9016 traffic white / RAL 9002 grey white

Max. load monitor adaptation

18 kg / 39.7 lbs

Part number

Counter top with base plate to mount to desk or even surfaces

- T-HQ-60.CD_220 height: 220 mm / 8.7"
- T-HQ-60.CD_280 height: 280 mm / 11"
- T-HQ-60.CD_340 height: 340 mm / 13.4"

Counter top free-standing (see illustration)

- T-HQ-62.CD_220 height: 220 mm / 8.7"
- T-HQ-62.CD_280 height: 280 mm / 11"
- T-HQ-62.CD_340 height: 340 mm / 13.4"

Counter top without base plate

- T-HQ-69.CD_220 height: 220 mm / 8.7"
- T-HQ-69.CD_280 height: 280 mm / 11"
- T-HQ-69.CD_340 height: 340 mm / 13.4"

Quick release adapter plate

- Z-QR-C.D VESA 75
- Z-QR-G.D VESA 75/100

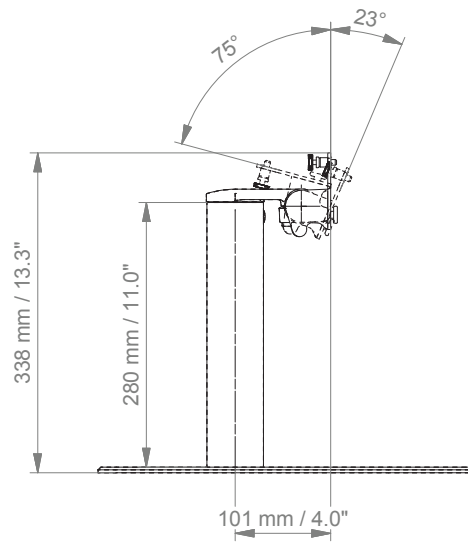
All free-standing counter tops have to be tip-tested for stability depending on the weight of the monitor!



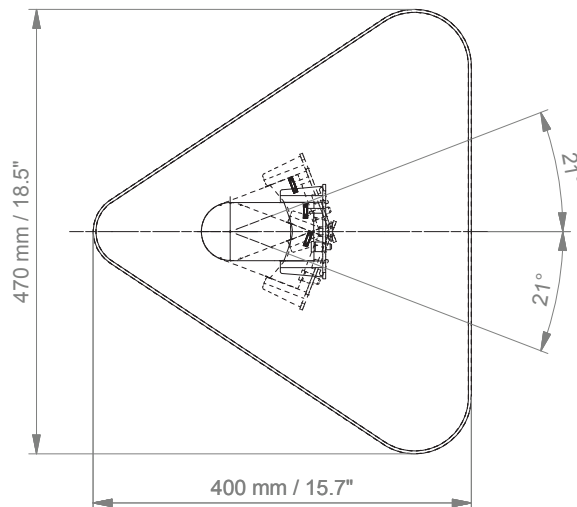
Counter top

Technical data – free-standing

SIDE VIEW



TOP VIEW



Counter top for deep monitors

MD

Monitor adaption

CL-bracket, quick release base plate

Colours to choose **CD**

 decorative parts RAL 5013 cobalt blue / RAL 7024 graphite grey
 aluminum parts RAL 9016 traffic white / RAL 9002 grey white

Max. load monitor adaptation

18 kg / 39.7 lbs

Part number

 Counter top with base plate to mount to desk or even surfaces (see illustration)
 T-HKQ-60.**CD**_50

All free-standing counter tops have to be tip-tested for stability depending on the weight of the monitor!

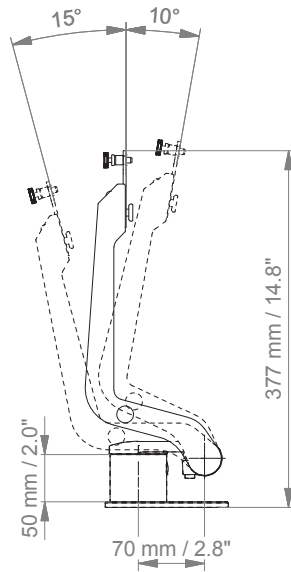

 Counter top free-standing
 T-HKQ-62.**CD**_50

 Quick release adapter plate
 Z-QR-C.**D** VESA 75
 Z-QR-G.**D** VESA 75/100

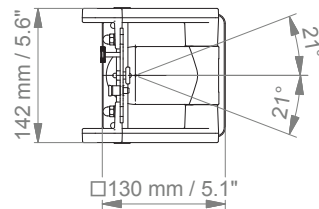
Counter top for deep monitors

Technical data – with base plate

SIDE VIEW



TOP VIEW



Cart light duty

MD

Example configuration



Monitor adaption

CL-bracket, quick release base plate

Accessories

5-star base aluminum base with counter weight
 double wheel castors, \varnothing 100 mm / 3.9", 2 lockable
 column to accept components and accessories on opposite sides

Colours to choose **CD**

decorative parts RAL 5013 cobalt blue / RAL 7024 graphite grey
 base RAL 9016 traffic white
 handle RAL 9016 traffic white / RAL 5013 cobalt blue / RAL 7024 graphite grey

Max. load capacity

10 kg / 22 lbs

Optional accessories

basket big 300 x 200 x 180 mm / 11.8 x 7.9 x 7.1"
 basket small 200 x 150 x 100 mm / 7.9 x 5.9 x 3.9"
 handle

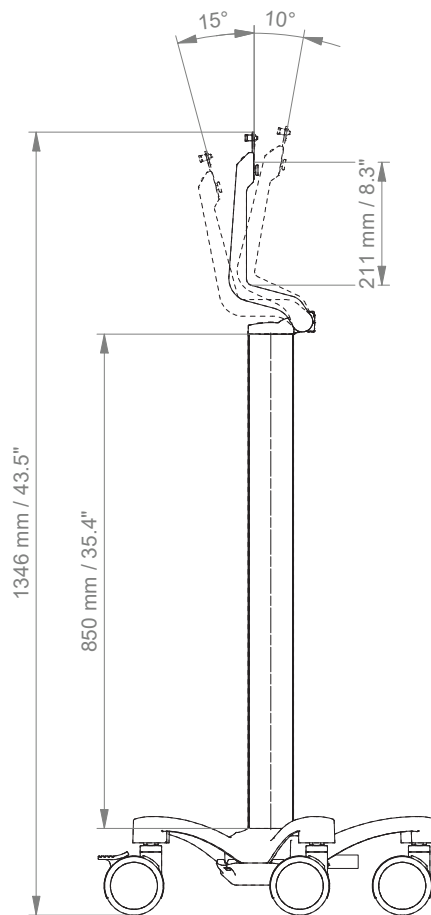
Part number

R-002KQ.**CD** cart
 Z-QR-C.**D** quick release adapter plate VESA 75
 Z-QR-G.**D** quick release adapter plate VESA 75/100
 Z-51-4Z.1 basket big
 Z-52-4Z.1 basket small
 Z-HD-4.**C1** handle

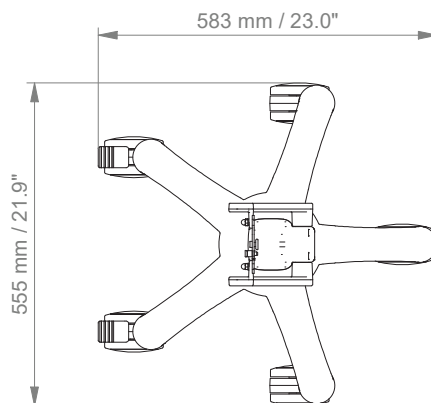
Cart light duty

Technical data

SIDE VIEW











TOP VIEW



Fixings Y



Illustration	Description	Notes	Weight	Part no.
	Adapter for vertical wall channel	To mount to CIM wall channel (compatible with GCX channel) Please order separately: CIM wall channel, see catalogue accessoires	0.6 kg / 1.3 lbs	4S
	Horizontal rail clamp	To mount to horizontal European rails 10 x 25, 8 x 35, 10 x 30, 10 x 50 mm	1.1 kg / 2.4 lbs	2F
	Vertical rail clamp	To mount to vertical European rail 10 x 25 mm	0.5 kg / 1.1 lbs	3
	Universal pole clamp	V-block to mount to pole \varnothing 23 - 40 mm / 0.9 - 1.6"	0.6 kg / 1.3 lbs	1V
	Fixed pole clamp	To mount to pole \varnothing 25 mm / 1.0" To mount to pole \varnothing 30 mm / 1.2" To mount to pole \varnothing 35 mm / 1.4" To mount to pole \varnothing 38 mm / 1.5"	0.3 kg / 0.7 lbs 0.4 kg / 0.9 lbs 0.4 kg / 0.9 lbs 0.4 kg / 0.9 lbs	1 1B 1F 1C
	Adapter medical supply units	For Mindray medical supply units	0.8 kg / 1.8 lbs	13
	Adapter pendants & headwalls	For Amico pendants & headwalls	0.6 kg / 1.3 lbs	17
	Adapter pendants & headwalls	For Dräger Ambia pendants & headwalls	0.6 kg / 1.3 lbs	19
	Adapter pendants & headwalls	For Löwenstein Medical / ITD / mounting channels	0.4 kg / 0.9 lbs	9



VESA 75/ 100 Adaptation Quick Release_2025.01_EN

CIM med GmbH

Euro-Industriepark
Margot-Kalinke-Str. 9
80939 Munich / Germany

T +49 89. 978 94 08-0

CIM med Inc.

University Executive Park
301 McCullough Drive, Suite 400
Charlotte NC, 28262 / USA

T +1 704 221 0721

info@cim-med.com
www.cim-med.com

