



DUAL MONITOR MOUNT

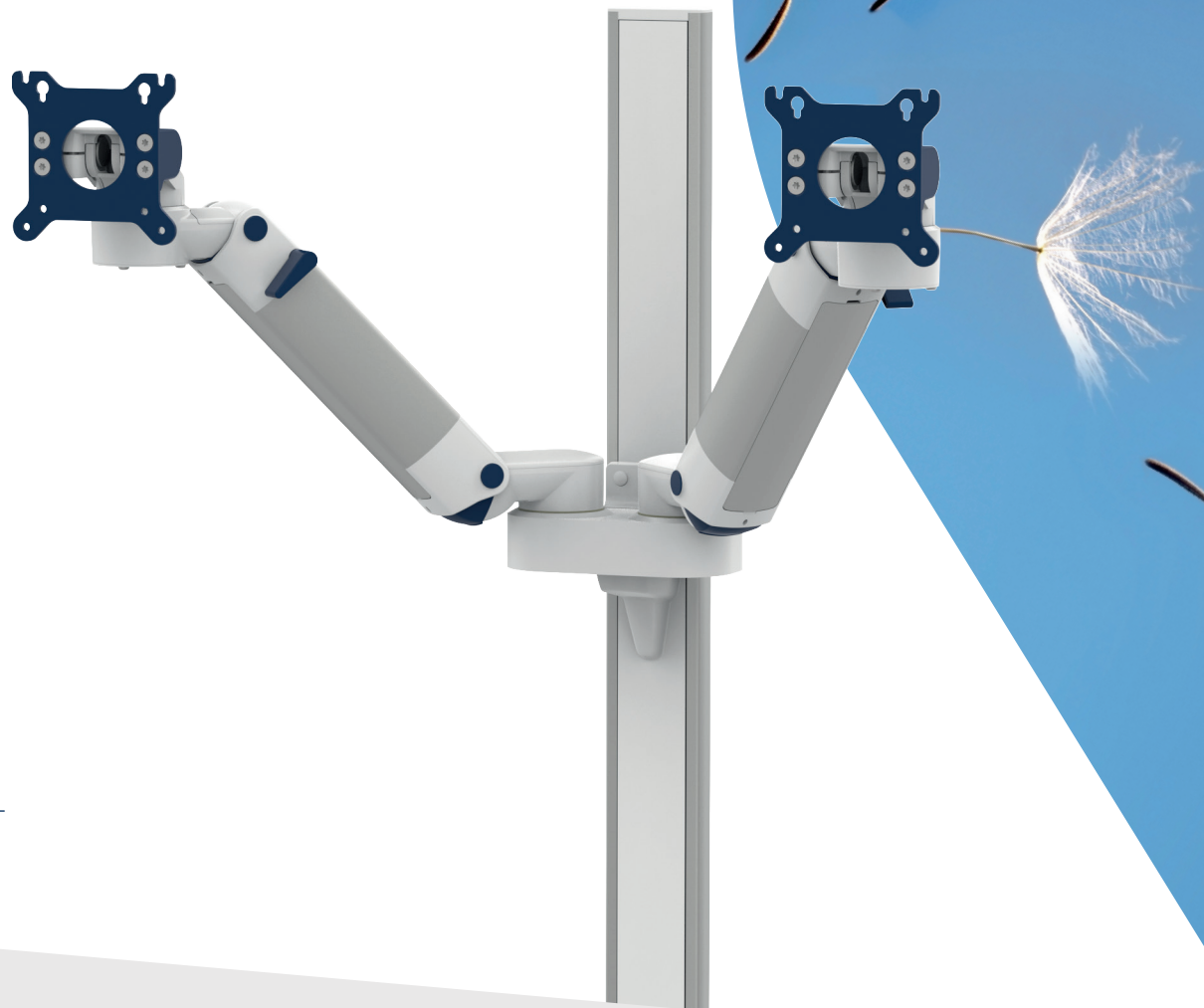
MORE FLEXIBILITY FOR YOUR WORKPLACE

Maximum ergonomics, effortless handling, and reliable safety: Our dual monitor mount for flat screens is designed specifically to meet the demands of modern medical environments. With flexible adjustment options, each monitor can be positioned independently – ensuring greater comfort and an optimized workflow.

YOUR BENEFITS AT A GLANCE

- + Ergonomic Comfort**
Individual height adjustment and extended swivel range for each monitor.
- + Boosted Efficiency**
Separate support arms for smooth and hassle-free operation.
- + Clean & Hygienic**
Integrated cable management for easy cleaning and a clutter-free workspace.
- + Strong & Reliable**
Increased load capacity for a wider range of applications.
- + Certified Safety**
Complies with EU Medical Device Regulation (MDR, Class I) and IEC 60601-1.

With this innovative solution, you gain not only extra space but also greater freedom of movement – creating a workspace perfectly tailored to the needs of healthcare professionals.



DUAL MONITOR MOUNT

WHICH MONITOR WOULD YOU LIKE TO MOUNT?

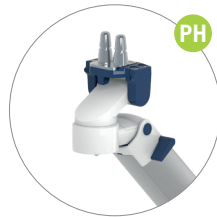
CIM med offers tailored solutions for a wide range of leading medical device manufacturers – ensuring you always find the right mount for your system.



A



G



PH

WHERE DO YOU WANT TO ATTACH THE SUPPORT ARM?

Whether round tube, wall channel, or standard rail – CIM med provides the right adapters for flexible and secure integration into almost any environment.



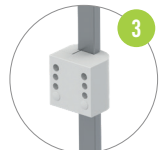
4S

Adapter for vertical wall channel



2F

Horizontal rail clamp



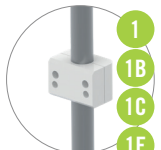
3

Vertical rail clamp



1V

Universal pole clamp



1

1B

1C

1F

Fixed pole clamp



13

Adapter for Mindray medical supply units



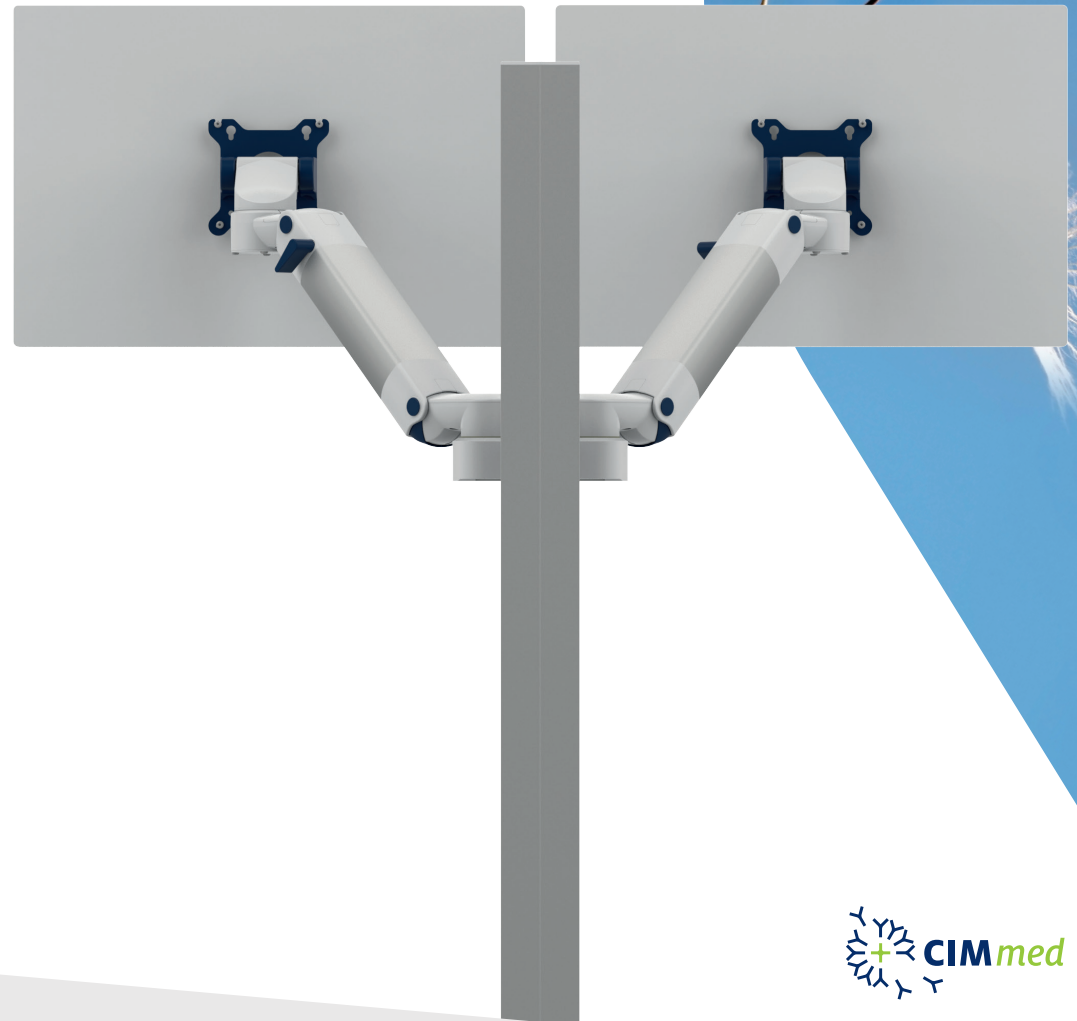
17

Adapter for Amico pendants & headwalls



19

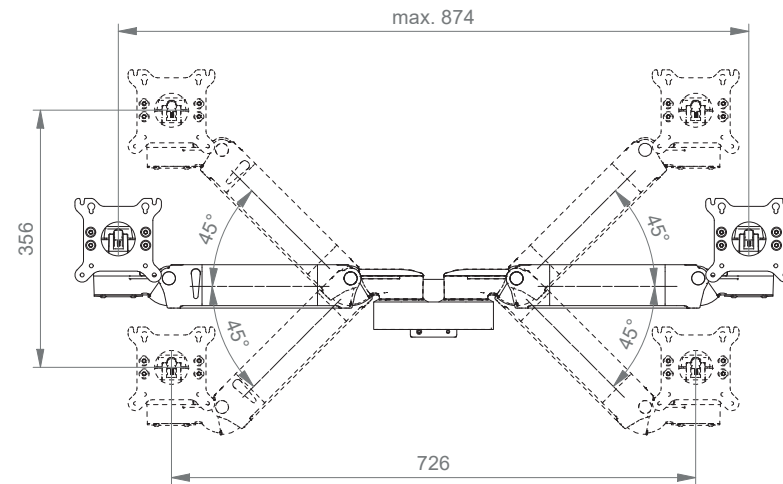
Adapter for Dräger Ambia pendants & headwalls



DUAL MONITOR MOUNT

TECHNICAL DATA

FRONT VIEW



TOP VIEW

